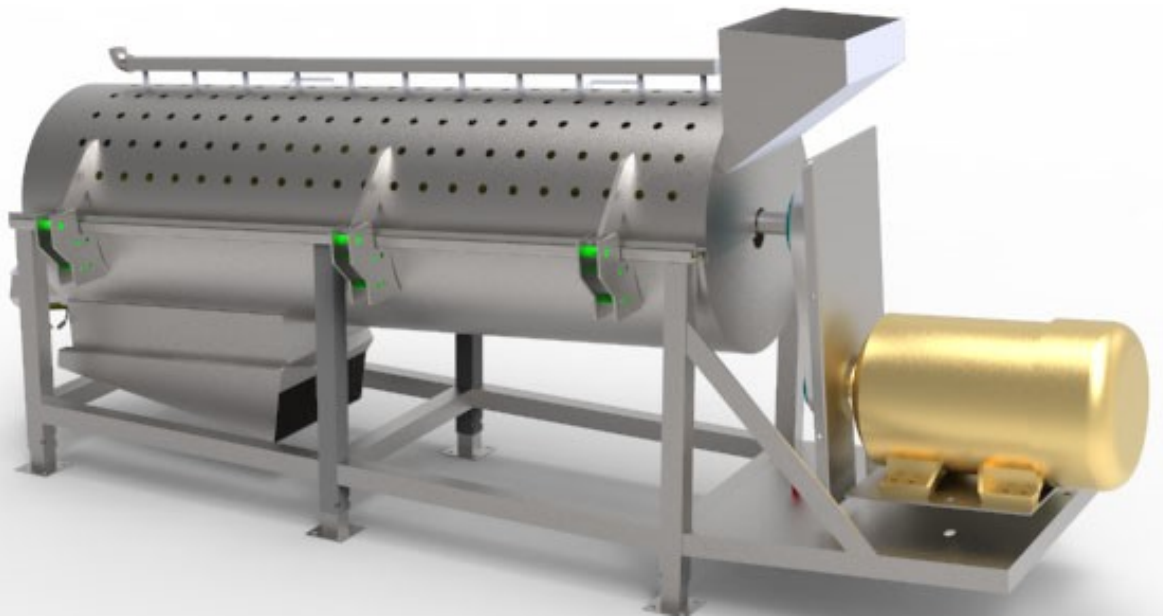
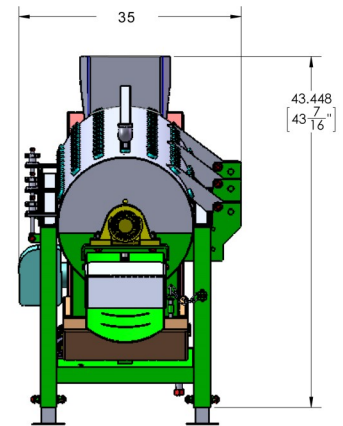
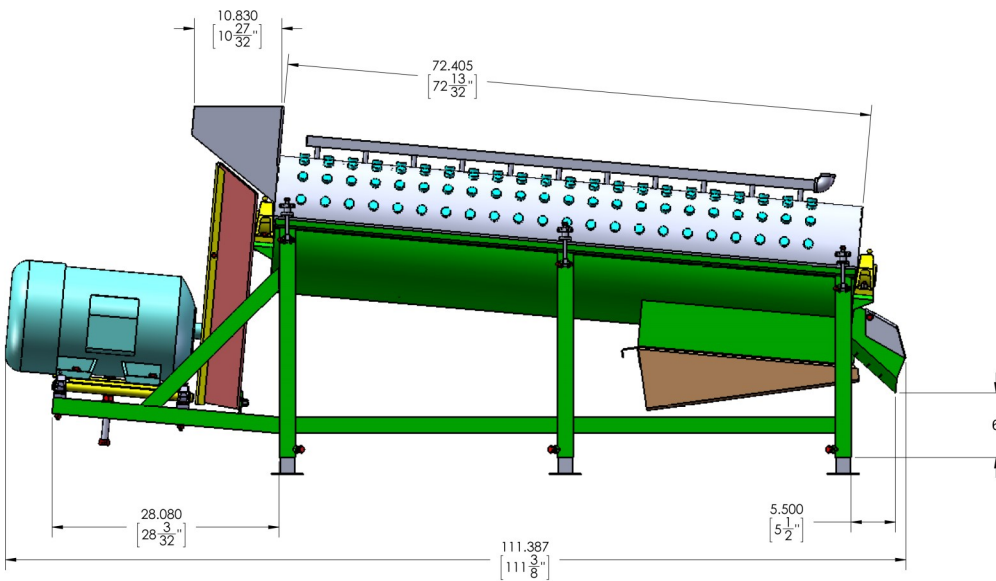
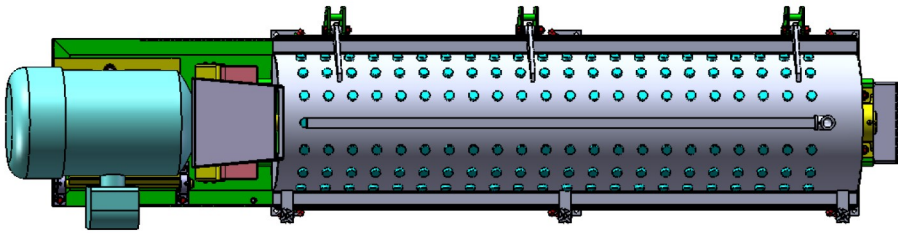


## **Model B-PWS-1**



Model **B-PWS-1 Wing Scrubber** from Berry Plumbing & Equipment, designed to gently remove cuticle and pin feathers, without damaging product.

# Berry Poultry Wing Scrubber



<b>WATER:</b>	1-1/4" CONNECTION — APPROX. 20 GPM @ 60° - 100°
<b>ELECTRICITY:</b>	1—15 H.P. ELECTRIC MOTOR, 870 RPM, 230/460 V, 42.2/21.1 AMPS, 3 PHASE, TEFC
<b>CAPACITY:</b>	APPROXIMATELY 400 WINGS PER MINUTE
<b>HEIGHT:</b>	Approx. 46-1/2" shortest level with 12" adjustable range up to 58-1/2"
<b>WIDTH:</b>	Approx. 35"
<b>LENGTH:</b>	Approx. 112"

The specifications as stated herein are the most current at the time of publication. However, consistent with our standard of continual product development, we reserve the right to change the design without notice or obligation to modify any equipment previously sold or delivered. 4/10/2008

## Berry Plumbing & Equipment

6736 Cleveland Highway, Clermont Georgia 30527  
 Email: [tberry@berryequipment.net](mailto:tberry@berryequipment.net)  
 Phone: 770-983-3929 Toll Free Fax: 1-866-808-9957