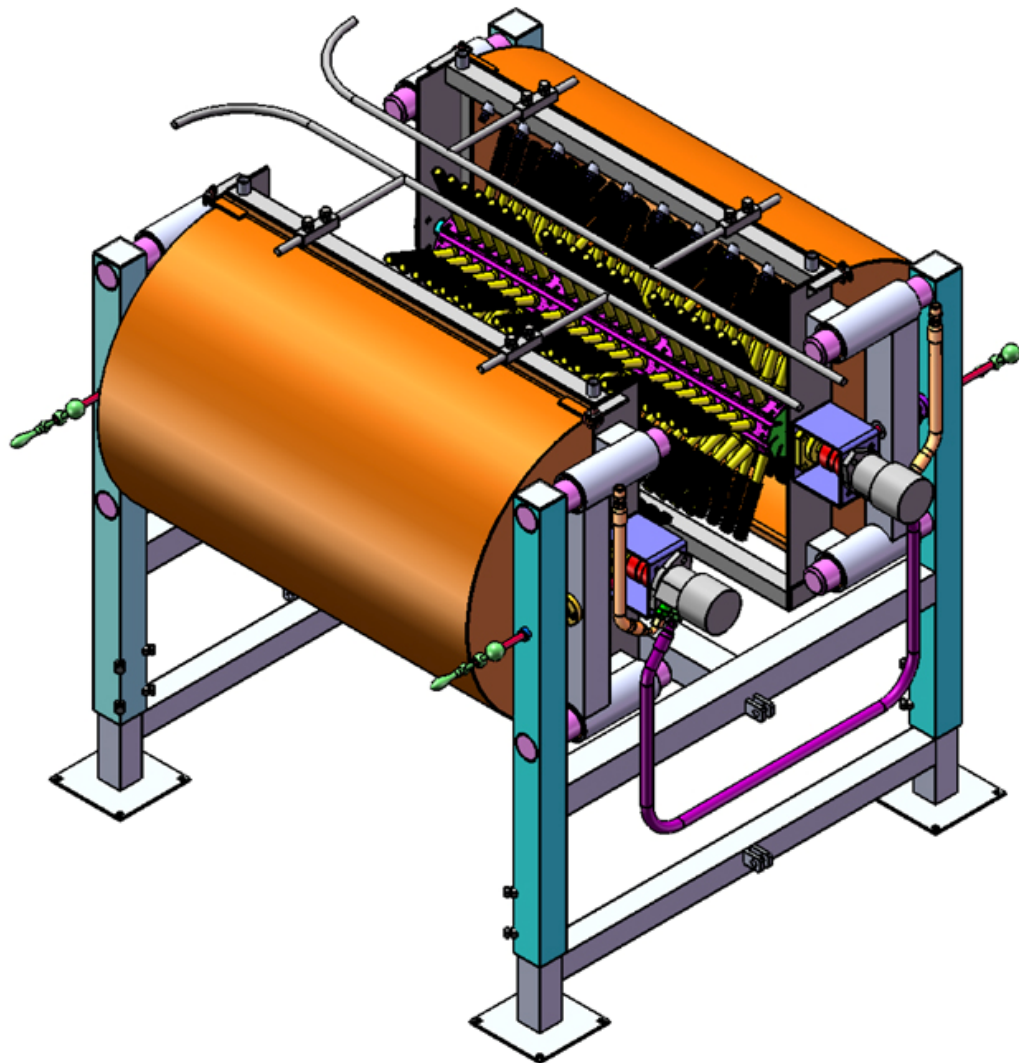


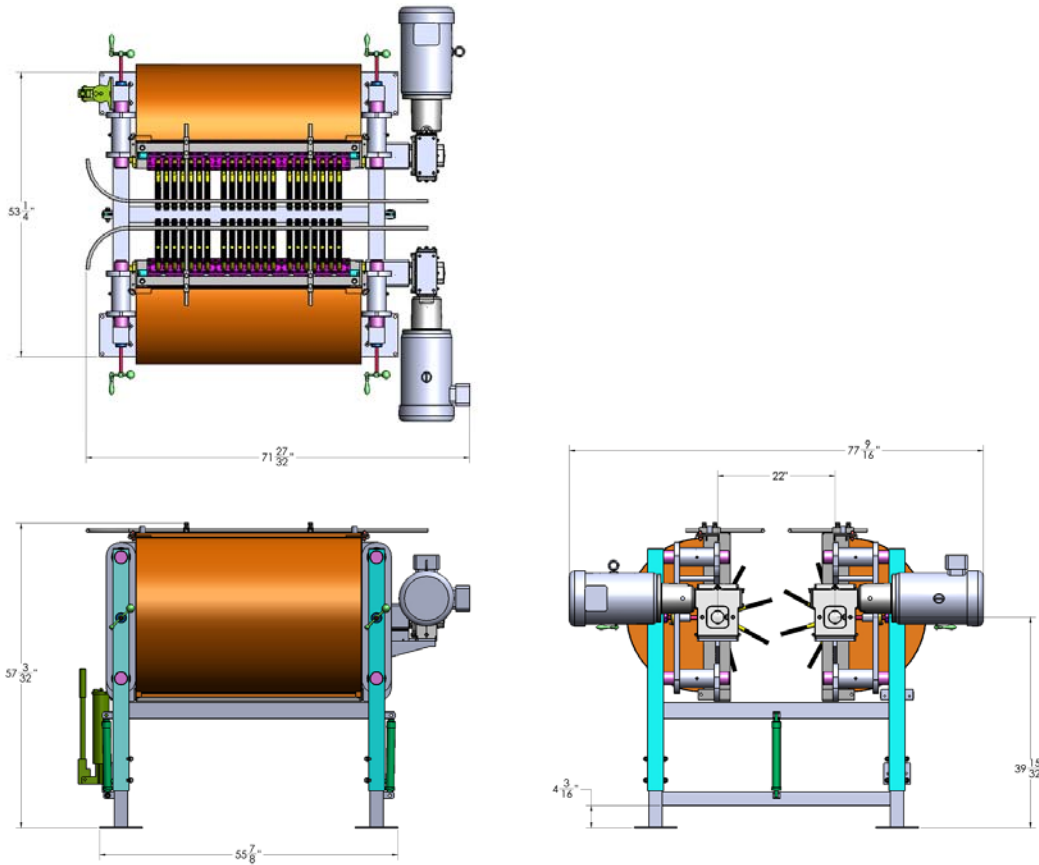
# Berry Wing Picker

## **Model B-WP-3-48**



The Berry Wing Picker B-WP-3-48 is designed to clean the wings by the rotating rubber fingers which are placed to gently brush away cuticle matter, then rinse the matter away with use of the water spray nozzles. The model B-WP-3-48 is constructed of stainless steel, teflon, and aluminum for durability and easy clean up and has the capacity to process up to 300 birds per minute. The model B-WP-3-48 should be positioned after the last bird picker on the picking line.

## Berry Wing Picker 3-48



WATER	1/2" NPT CONNECTION (9) SPRAY NOZZLES PER SIDE RANGE @ 5 PSI, 1 GPM UP TO 60 PSI, 3.5 GPM 40 PSI, 30 GPM FOR ALL
POWER	(2) ELECTRIC MOTORS, 10 HP EACH
CAPACITY	UP TO 300 BPM
HEIGHT	APPROX 58"
WIDTH	APPROX 78"
LENGTH	OAL APPROX 72"

The specifications as stated herein are the most current at the time of publication. However, consistent with our standard of continual product development, we reserve the right to change the design without notice or obligation to modify any equipment previously sold or delivered. 4/10/2008

**Berry Plumbing & Equipment**  
 6736 Cleveland Highway, Clermont Georgia 30527  
 Email: [tberry@berryequipment.net](mailto:tberry@berryequipment.net)  
 Phone: 770-983-3929 Toll Free Fax: 1-866-808-9957