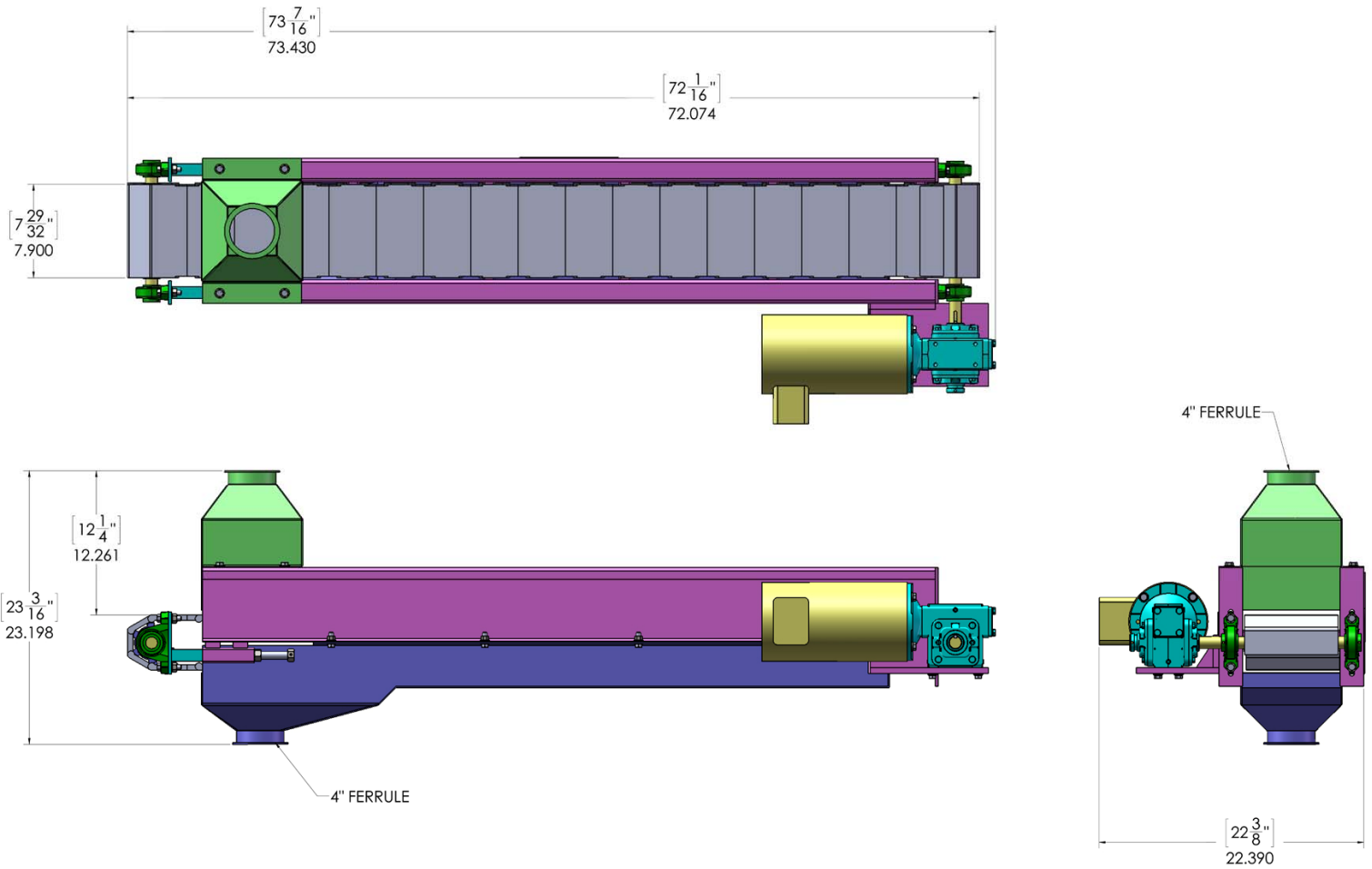


Dewatering Conveyor Model B-DC2-6



The Berry Plumbing & Equipment Dewatering Conveyor 2 is constructed entirely of stainless steel and UHMW aluminum for durability and easy cleanup. Pump fed and electrically powered, installed after the foot picker but before the final inspection table, the Dewatering Conveyor 2 features a moving belt that allows water to drain off the paws before the product reaches the inspection table.

Berry Dewatering Conveyor



POWER	1 HP, 1800 RPM, 3 PHASE
HEIGHT	23 3/16"
WIDTH	22 3/8"
LENGTH	73 7/16 OAL

The specifications as stated herein are the most current at the time of publication. However, consistent with our standard of continual product development, we reserve the right to change the design without notice or obligation to modify any equipment previously sold or delivered. 12/31/2000

Berry Plumbing & Equipment
 6736 Cleveland Highway, Clermont Georgia 30527
 Email: tberry@berryequipment.net
 Phone: 770-983-3929 Toll Free Fax: 1-866-808-9957