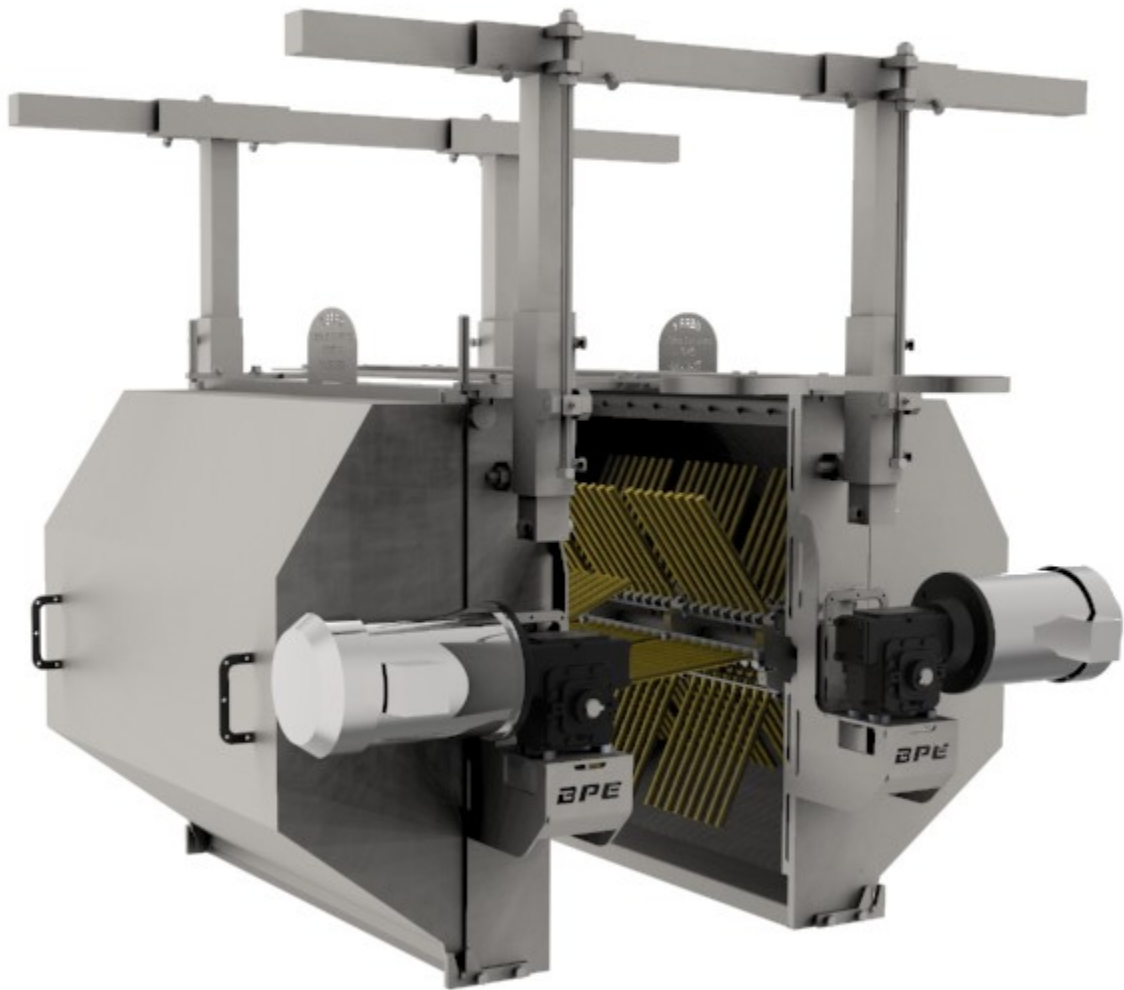


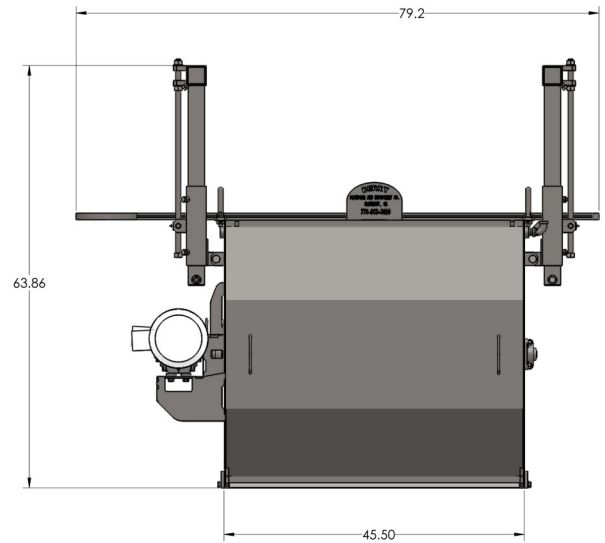
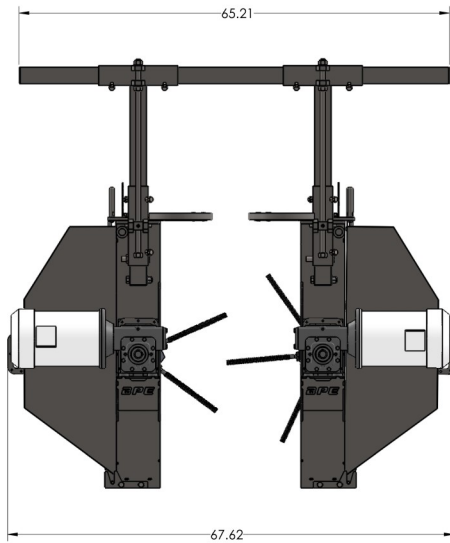
Berry Bird Scrubber

Model BBS-BPE-9718



The Berry Bird Scrubber BBS-BPE-9718 is constructed of stainless steel material designed as an octagonal cabinet. It has the capacity to cleanse up to 300 birds per minute. The Berry Bird Scrubber can be positioned in multiple places on the picking, or evisceration line. The continuous motion of the fingers brushing the bird combined with the spray nozzles rinsing the matter away results in a reduction of the level of contamination. Poultry processing plants may spend upward of \$25,000 per month for on line processing aids to reduce contamination. The Berry Bird Scrubber should drastically reduce or possibly eliminate the need for the on-line additives thereby reducing the cost incurred.

Berry Bird Scrubber - Model BBS-BPE-9718



| | |
|----------------|---|
| WATER (HOT) | 3/4" NPT CONNECTION 11) SPRAY NOZZLES PER SIDE .60 GPM @ 40 PSI PER NOZZLE - 10.8 GPM FOR ALL HOT WATER -TEMPERATURE DETERMINED BY PLANT |
| POWER | (2) 3 hp Electric Mtrs, 1770 rpm, 208-230/460 Volts, 3Phase, 60Hz |
| CAPACITY | UP TO 300 BPM |
| HEIGHT | APPROX 64" |
| WIDTH | APPROX 68" |
| OVERALL LENGTH | APPROX 80" |

Berry Bird Scrubber - Model BBS-BPE-9718

Construction:

The **Berry Bird Scrubber** is designed for maximum safety and ease of operation. The machine is constructed entirely of stainless steel for durability and easy cleanup.

Operation:

The **Berry Bird Scrubber** is electrically driven and built of quality stainless steel. The machine is capable of processing up to 300 BPM.

Maintenance:

With proper operation, regular maintenance of the **Berry Bird Scrubber** should be daily cleaning and checking of various parts for wear and fractures on parts such as the fingers and hoses.

Options:

Berry Bird Scrubbers are available with either fingers or brushes.

The specifications as stated herein are the most current at the time of publication. However, consistent with our standard of continual product development, we reserve the right to change the design without notice or obligation to modify any equipment previously sold or delivered.

12/13/2016

Berry Plumbing & Equipment

6736 Cleveland Highway, Clermont Georgia 30527

Email: tberry@berryequipment.net

Phone: 770-983-3929 Toll Free Fax: 1-866-808-9957